

May 2011

Our Mission

To bring people to Jesus Christ and **membership** in his church family, develop them to Christlike **maturity**, equip them for their **ministry** in the church and life **mission** in the world, in order to **magnify** God's name

Special Events:

- ◆ May 1—Quarterly Information Meeting
- ◆ May 7—Missions Trip Car & Dog Wash

From the Pastor's Desk

Pastoral Intern's Job Description

By Rev. Freddy Fritz

Last month the Session extended an invitation to James Nichols to become the Pastoral Intern at the Tampa Bay Presbyterian Church. Lord willing, James will begin his duties on June 27.

But what exactly will James be doing?

The statement in the Job Description states that "the general responsibilities for the Pastoral Intern include general pastoral duties, with a focus on outreach and assimilation. It is designed to enable the candidate to fulfill his pastoral internship."

After a young man graduates from theological seminary, his desire is to serve the Lord in a church. James believes that God has called him to pastoral ministry (and possibly even church planting down the road), and so he would like to get practical training in order to become a pastor.

In our denomination our men go through a pastoral internship process. Many of the men actually serve as pastoral interns while going through seminary. James has in fact done this too. However, it is by definition limited because it is part-time.

So, James will begin a full-time internship here at the Tampa Bay Presbyterian Church. During the coming year he will complete his ordination exams, which are challenging and important.

Along with focusing on completing his ordination exams, James will also learn the ropes of pastoral ministry. I will be assigning him a wide range of responsibilities so that he can get a feel for the breadth and scope of pastoral ministry. In addition, James will focus his attention on outreach and assimilation. That means he will assist our church family in reaching the many unchurched people in our community with the good news of the gospel. Furthermore, he will assist in helping turn our first-time guests into fully engaged members of our church family.

We are all looking forward to the start of James' ministry with us. He will be learning what it means to be a pastor, and I encourage you to give him your whole-hearted support.

Tampa Bay Presbyterian Church

Church Staff—

Rev. Freddy Fritz
Pastor

Melissa Noel
Office Administrator

Joanne Campbell
Bookkeeper

Cheryl Barber
NTCA Director

Marianne Cali
Nursery

Chris Christopher
Custodian

Cheryl Barber
Children

James Barber
Youth

Debi Hensley
Pianist

Bob Guest
Assistant to Pastor

TBPC Trumpet

Staff—

Rev. Freddy Fritz
Editor-in-Chief

Doug Knox
Editor

It is the goal of the Trumpet staff to provide articles for learning and growing, news for connecting with our church family, and information on opportunities for service and participation.

The views and opinions expressed in the Trumpet have not been reviewed or endorsed by the Session.


Please forward articles, ministry reports and calendar items for the June edition of the *Trumpet* to sd_knox@yahoo.com by May 15, 2010.

Session News

By Rev. Freddy Fritz

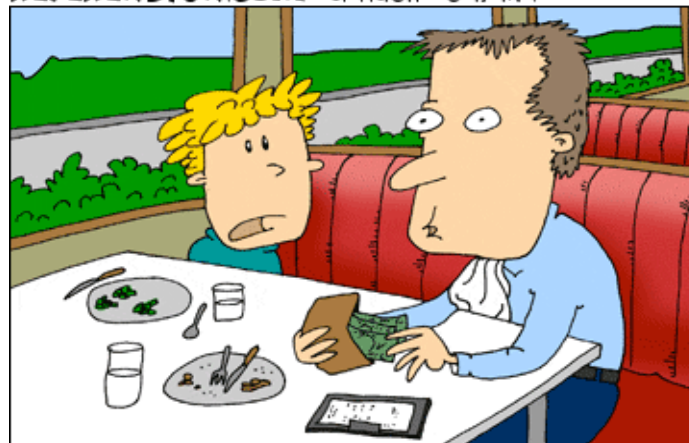
Since our last report the Session and Diaconate met with another church architect. The Session and Diaconate hope to engage the service of an architect in the next month or so. The purpose is to begin the process of developing a master site plan for our property. It seems that the wisest way forward is to develop a master site plan for the entire property. Then, we will have to move forward in phases in order to pay for the project.

There are several advantages to developing a master site plan. First, one has a better sense of how the entire completed project all fits together. We have all seen buildings that have been added on to each other without a good plan of how they all connect. A master site plan will help to reduce that kind of hodge-podge approach to construction. And second, by slowing down and developing a master site plan we will be able to get input from our entire congregation. Obviously, not every idea will be used in the master site, but everyone will get an opportunity to contribute his or her input into the project. The goal is not to overlook any ministry and to make sure that not only do all the buildings tie together but that all the ministry "tie together" as well.



Are you familiar with using database programs or willing to learn how to use these programs? Are you comfortable working on a laptop? If so, your assistance is greatly needed! We are recruiting a volunteer to assist with entering data compiled from TBPC ministries and church visitors. This information is used by ministry leaders and officers to identify and address the needs and interests of TBPC members and visitors. If you are interested in volunteering for this position, please contact Melissa Noel in the church office at 813-973—2484.

REVERENDFUN.COM COPYRIGHT G4, INC.



Thanks to Shirley Ostrander

01-15-2004

HOW COME THE WAITRESS GETS 15% AND GOD ONLY GETS 10%?

Officers*Teaching Elder—*

Rev. Freddy Fritz
Moderator

Ruling Elders—

Jim Aldrich

Bert Barber

Fred Gordon

Doug Hayman

Joe Kirkpatrick

Kevin Nobles

Ken Pothoven
Clerk of Session

Deacons—

Mike Bowman

Brad Collier

Rick Donaldson

Bob Guest

Jon Massie

Bob McQueen
Chairman

A Model Servant

By Doug & Molly Knox

Bob McQueen is chairman of the diaconate at Tampa Bay Presbyterian Church, a position he has held for more than a decade. Bob's faithful service to the Lord, his church and his wife, Betty, are a model of selflessness, love and humility.

Bob was born and raised in southern Illinois. After finishing school, Bob enlisted in the United States Air Force. Bob completed his basic training in Texas, and then was assigned to McGuire Air Force Base in Trenton, New Jersey, where he began working as an aircraft mechanic.

One day in September of 1953 Bob bought a cup of coffee that would forever change his life. While visiting a coffee shop in Trenton, Bob asked a few of the locals for recommendations for a church to visit. Someone recommended a little Baptist church down the road. Bob paid it a visit the next Sunday. It was during his first visit that Bob met a young woman named Betty. After they struck up a conversation following the service, Betty's mom invited Bob over for dinner. By January of 1954, Bob and Betty knew that they wanted to spend the rest of their lives together and became engaged.

Months after their engagement, Bob learned that there was a chance he could be sent to Korea. But Bob's commanding officer told him that if he were married he and his wife could be stationed in Alaska (at that time a U.S. territory). Bob and Betty thus accelerated their wedding plans and were married one month later on August 21, 1954. Bob and Betty then spent two years in Alaska before Bob was transferred to Georgia. After leaving the Air Force, Bob and Betty moved back to Trenton, where they lived until Bob's retirement in 1995, when Bob retired as the head of security at the Menlo Park Mall.

After living in Alaska and New Jersey, Bob liked the idea of living somewhere warm. Retirement allowed Bob and Betty to move to Florida in 1996. A friend from Trenton who had recently relocated to Tampa told Bob and Betty about a new church that had just been plated in the area. So Bob and Betty visited Tampa Bay Presbyterian Church, and shortly thereafter became members in February 1997. Bob began serving as a deacon in 1999, and became the head deacon a few years later. In fact, Bob was on the pulpit committee that called pastor Freddy to service at TBPC.

Bob and Betty live close to the church in Pebble Creek. As the head deacon, Bob has many responsibilities. For example, Bob is the first to arrive to unlock the Church on Sunday mornings. Whenever the alarm sounds at the church, whatever the hour of the night, Bob gets out of bed and visits the church to make sure there are no problems. He has also worked for years with the



Bob and Betty McQueen

(Continued on page 13)

Women in the Church

By Ginny Bremer

Thank You

Many thanks to Delaine Holsopple who opened her home for our spring Sister to Sister. We had a creative group of ladies who really enjoyed the hat making as well as the fellowship, the devotional, the prayer time, and the grand buffet. Thank you too to all the participants who brought hat making materials, to those who created wonderful Easter bonnets, and also to those who brought delicious food. A special thanks to Marianne Cali for her Easter devotional. Try to get together with your prayer partner for some special time together before the next Sister to Sister.



Thank you to all the ladies who participated in the hat parade in the talent show mission trip fundraiser. Your efforts helped in spreading the Word to Cherokee North Carolina.

Thank you to Nancy Kirkpatrick who re-decorated the ladies room with the bonnets for all the ladies to enjoy.

Due to Mother's Day being the second Sunday of May, our WIC 15 will be re-scheduled for May 15, 2011. Please attend to share your ideas and plan future events.

Looking Ahead

The 19th Annual Prayer Brunch , hosted by First Ladies Prayer Brunch and Pray Tampa

Bay, will be held on Thursday, May 5, 2011, from 11:00 am - 1:00 pm, at the Tampa Convention Center. Tickets cost \$30.00 each. If you wish to attend you can get additional information and register online at, www.tampaprayerbrunch.com.



Adult Christian Education & Fellowship
Bob Guest

Children
Cheryl Barber

Emptynesters
Jan Ousnamer

Greeters & Welcome Table
Bob Koryus

Growth Groups Session

Hospitality
LeeAnn DeStefano

Men's Bible Study
Jeff Beams

Men's Ministry
Brian Carrier

Missions
Jim Aldrich

Music
Debi Hensley

New Tampa Christian Academy
Cheryl Barber

Nursery Marianne Cali

Pacesetters
Randy Mallary

Pastoral Care
Rev. Freddy Fritz

Ushers
Richard Hunter

Women's Bible Study
Betty Pothoven

Women in the Church
Ginny Bremer

Youth
James Barber



FIELD TRIP to the DALI MUSEUM

Thursday, May 26, 2011

10:30 a.m. — tbd (or, whenever we see enough!)

This event, open to all TBPC members, has been arranged by WIC and Greg Pesce. Greg is an associate at the Dali Museum and a new member of TBPC. Greg has arranged for a special admission fee of \$10.50 instead of the regular \$21.00 admission fee.

This is a wonderful opportunity to see original works by Salvador Dali, probably the most imaginative artist of the 20th Century. The museum has hourly docent-led tours to explain the paintings and add interesting human-interest stories. There truly is something for every one to see. The covered tropical floral entrance is spectacular, as is the

other gardens throughout the museum. People from all over the world come to see the building with its ballooned-out glass exterior and spiral staircases (note there are also elevators for those unable to climb stairs).

The men will want to see a real 1920's era Rolls-Royce in the lobby. It fills with water, and people take their snapshots near this piece of artwork. And the sandwiches and snacks in the Café are very good.

We need to arrive at the museum around 10:30 a.m. One car group will leave the Church at 9:00 am. Nancy Kirkpatrick (813-988-8601), is forming carpools, although you may drive alone if you prefer.

The special admission fee of \$10.50 must be paid in advance to Nancy Kirkpatrick, who is keeping a list of the attendees. Please contact her if you wish to attend or have any questions about the field trip.

TBPC "Golf Legends" Play "The Claw"

On Saturday, April 23, ten TBPC men joined in a golf outing at USF's Golf Course, "The Claw." Three teams competed vigorously for low scores, and a great time of fellowship was enjoyed, along with more than a few laughs. If interested in joining this group in the future, contact either Ken Pothoven or Jim Aldrich.



Truth Matters Today

By Joe Burns, TruthMattersToday@tampabay.rr.com

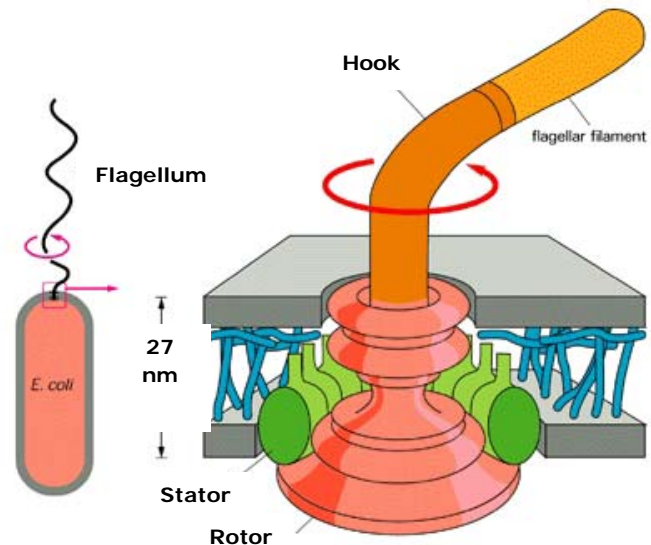
The Origin of Life, Part 5: Chance or Design

During the life of Charles Darwin, the idea of irreducible complexity within biological systems was not considered much beyond the passing reference Darwin himself made in his landmark book *On the Origin of the Species*. Buttressing his case that all life descended from some original organism through a step-wise sequence of random mutations, Darwin remarked that his theory would break down completely if compelling evidence ever arose of a complex organism that couldn't have been formed that way.¹ But none did in his time or during the many decades hence. How could it? Scientific tools had not yet reached the capability required to see infinitesimally small complexity in biological systems.

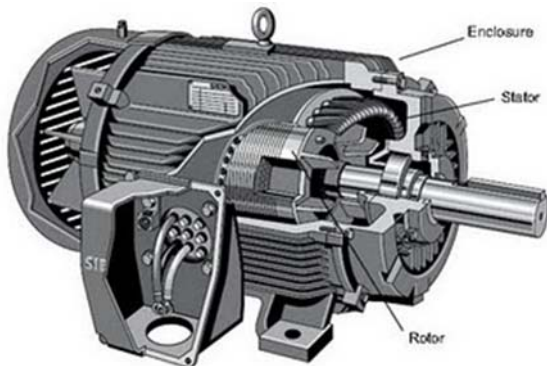
Now, however, scientists peer deeper each day into organisms whose complexity staggers the mind. Were Darwin with us today, he would be forced to acknowledge the disintegration of his theory when confronted with the irrefutable evidence of systems far too complex to be the product of Darwinian evolution.

Exhibit A would be the incredible bacterial flagellum, a motor assembly that propels bacteria. Just 1/100,000 of an inch long, it's been observed spinning at speeds up to 100,000 rounds per minute (RPMs). Thanks to a clutch mechanism formed by a shape-shifting protein called FliG, the flagellum can stop spinning in one direction in just a quarter turn and immediately spin in the other direction at a similar speed.²

Among the most fascinating aspects of the bacterial flagellum is the striking resemblance it bears to modern electrical motors—which were first designed well before the structure of the flagellum was discovered but yet seem primitive when compared to its complexity and capabilities.³ So much so that Howard Berg, Herchel Smith Professor of Physics and Professor of Molecular and Cellular Biology at Harvard University, called the bacterial flagellum the most efficient motor in the universe.⁴



Bacterial Flagellum Cross Section;
www.ncbi.nlm.nih.gov/books/NBK283



Electric Motor; <http://electrical-science.blogspot.com/2009/12/ac-motor-construction.html>

Common sense says that if rudimentary motors of the modern era were designed by intelligent beings, then the enormously complex bacterial flagellum must have been as well. Indeed one might suspect that the astounding similarities in the design of the two motors imply they have been somehow inspired by the same designer.

One thing is certain, thanks to the overwhelming contemporary evidence that the bacteria flagellum is irreducibly complex⁵, it pulls the rug out from under Darwinian evolutionary theory. Remember Darwin's own words: "if it could be demonstrated that any complex organ existed, which could not possibly have been formed by numerous, successive, slight modifi-

cations, my theory would absolutely break down."⁶

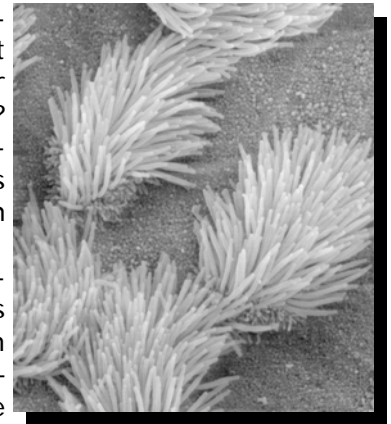
Despite this from-the-grave testimony by their icon, dyed-in-the-wool evolutionists are ceding no ground in this matter. If they are to avoid the potential implications of a possible intelligent designer, they can do no other. So, one of their common arguments against irreducible complexity in the flagellum notes that "about one fourth of [its] proteins can also be used to construct a toxin-injection machine (called the Type-III Secretory System, or T3SS) that some predatory bacteria use to kill other cells."⁷ To them, this demonstrates that at least part of the flagellum could have evolved from a toxin squirter, therefore—they say—the flagellum isn't irreducibly complex.

Not true. Irreducible complexity isn't about whether or not a component of a complex system could have been used for something else. Rather, it argues that Darwinian evolution can't account for a complex system that would fail if any of its interdependent parts were removed.

And what about the other three quarters of the flagellar proteins? Where is the map of their evolutionary path to becoming parts of the flagellum we know today? Better put by renown mathematician and author of *The Design Inference*, William Dembski, "at best the T[3]SS represents one possible step in the indirect Darwinian evolution of the bacterial flagellum. But that still wouldn't constitute a solution to the evolution of the bacterial flagellum. What's needed is a complete evolutionary path and not merely a possible oasis along the way. To claim otherwise is like saying we can travel by foot from Los Angeles to Tokyo because we've discovered the Hawaiian Islands. Evolutionary biology needs to do better than that."⁷ Here, here!

So far, nobody has answered Dembski's challenge. Even if they did, Darwinians would still need to explain the man-behind-the-curtain implications of an 'unguided, arbitrary process' that leads to just-the-right mutations at just-the-right time to transform a toxin-squirting immobile bacteria into a flagellar machine supporting a highly mobile bacteria. How lucky would that be? About as lucky as a defenseless immobile bacteria staying alive in a survival-of-the-fittest world during the enormous evolutionary eons it takes to convert its toxin-injection weapon system into a highly complex, high speed outboard motor.

Besides, the world is full of other irreducibly complex systems in addition to the bacterial flagellum. Consider the tiny hair-like structures called cilia that move fluid across a stationary cell's surface and "beat in synchrony to sweep mucus toward your throat for elimination."⁸ Cilia—"about 10 times more complex than the flagellum"—are able to move back and forth through highly orchestrated processes in each individual cilium and between the myriad cilia that work together to transport fluid and, for example, foreign objects out of the human lungs.⁹ Chance or design?



Lung Cilia; [://syscilia.org/](http://syscilia.org/)

In reality, the more modern science probes, the more irreducibly complex biological systems are revealed. And as they are, Darwinists lose more and more ground on which to plant their feet.

Copyright © Joseph M. Burns 2011. All Rights Reserved

1. Charles Darwin. "On the Origin of the Species by Means of Natural Selection or the Preservation of Favoured Species in the Struggle for Life." London: John Murray, Albemarle Street, 1859. 189
2. Lee, Lawrence K., et al. "Structure of the torque ring of the flagellar motor and the molecular basis for rotational switching." 19 Aug 2010. *Nature*. 14 Apr 2011 <<http://www.nature.com/nature/journal/v466/n7309/abs/nature09300.html>>.
3. Luskin, Casey. "Motor Works--Flagellating Objections to Irreducible Complexity." *Salvo* Winter 2010: 46-49.
4. Strobel, Lee. *The Case for a Creator*. Grand Rapids: Zondervan, 2004. 205.
5. "Composed of several well-matched, interacting parts that contribute to the basic function, and...the removal of any one of the parts causes the system to effectively cease functioning." Behe, Michael J. *Darwin's Black Box--the Biochemical Challenge to Evolution*. New York: The Free Press, 1996. 39.
6. Charles Darwin. "On the Origin of the Species by Means of Natural Selection or the Preservation of Favoured Species in the Struggle for Life." London: John Murray, Albemarle Street, 1859. 189
7. Luskin, Casey. "Motor Works--Flagellating Objections to Irreducible Complexity." *Salvo* Winter 2010: 46-49.
8. Strobel, Lee. *The Case for a Creator*. Grand Rapids: Zondervan, 2004. 201
9. *Irreducible Complexity*. Dir. Physicians and Surgeons for Scientific Integrity. DVD, Perf. Dr. Michael Behe. 2006



NTCA Update

By Cheryl Barber

May is a month for celebrations here at NTCA. We celebrate our year end with the graduation of our four-year-olds and spring programs for the younger children.

There will be many proud moments for our parents followed by a much needed summer break for our teachers.

NTCA has experienced many blessings from our Lord this year. In the face of a sluggish economy and tough competition from the state of Florida's free Voluntary Pre-K programs for four-year-olds, NTCA has prospered. We were able to add two new teachers and an additional class in October and our enrollment reached 100 students in January. The 2011-12 school year is also looking very promising as we have already enrolled 89 students including a full class of four-year-olds. I am so grateful for the opportunities that God continues to give us with families here in New Tampa and for the support of the TBPC church family.

I have felt blessed by a warm reception from the NTCA staff and families as I began my role as director in July of last year. Some of the teachers at NTCA have been teaching here for many years and some of our board members have been serving since the very start of the school 15 years ago. Their experience has been very valuable to me as I have learned the ropes and assumed the leadership at NTCA.

It's a little early to say it has been a wonderful year, because we do have a few weeks to finish. So I will just conclude with, "I am happily anticipating the end of great school year for NTCA. Thanks be to God!"

Help Japan Update

From MTW, the Mission-Sending Agency of the Presbyterian Church in America

Thank you for your interest in the progress of our Help Japan efforts—and for your prayers.

MTW sent an Advance Needs Assessment Team (ANAT) to Japan at the end of March to see how our Disaster Response Ministry could best assist our teams in Japan. Dan Jenny, Dennis Hamilton, and Michael Behmer spent several days worshipping with the Chiba church, attending team planning meetings and conducting interviews, traveling with team members to observe their ministry in Iwaki and Sendai, and considering future opportunities. They remain available to advise and assist remotely, as needed.

At the time of their visit, primary ministry activities involved distributing relief supplies to needy areas. It was anticipated that conditions would improve rapidly and although this has proven true overall, our teams have continued to look for overlooked segments of the population still in need of resources, building new relationships as they go from place to place. The "ministry of presence" has become as important as the initial more urgent need of supplies. MTW missionaries have been leading teams to shelters, not only with needed supplies, but hosting concerts and events that provide a glimpse of normalcy in lives that have little of their former normalcy. Many in the shelters have wept tears of gratitude. One missionary said he saw the atmosphere change from one that felt like a concentration camp to a celebration. It is important to feed the soul and spirit as well as the body.

Distributing supplies was labor intensive. So soon after the assessment team departed, a large number of former missionaries to Japan and their grown children, who speak the language and understand the culture, arrived to assist in the ministry and have been a great asset.

(Continued on page 14)

Missionaries Supported by TBPC

Reformed University Fellowship (RUF) Update

By Jeff Lee

Mission to the World

Esaie & Natacha
Etienne
Ken & Tammie
Matlack
Carla Stevens

Reformed University Fellowship

Jeff & Jenny Lee

MNA Chaplain Ministry

Dick Fisher

Navigators

Larry & Laura Hardie

New Harvest Missions International

Nathaniel & Cherita
Adawonu

Serving In Missions

Rene & Lili Palacio

Wycliffe Bible Translators

Don & Judy
Vander Ploeg

Ven Con Nosotros Church

Dr. Oscar & Elizabeth
Alvarez

Chamberlain-Hunt Academy

Pam Johnston

I would like to preface this update on the ministry of RUF with a heartfelt thank you to Tampa Bay Presbyterian for all of the ways that you have been a blessing to our family as we minister at USF. Jenny and I had a wonderful time at this year's mission's conference and we are so thankful for your prayers and continued partnership with RUF at USF.

This Spring semester we studied the book of Ecclesiastes on Tuesday nights. This particular book of the Bible is very appropriate for students in college. Solomon, the author of Ecclesiastes, is on a mission to find something in life that will give him ultimate hope and meaning. What makes his mission unique is that he sets about his journey as if God does not exist. As his journey unfolds he routinely comes to the conclusion that life is meaningless if there is no God. He emphatically states that *everything* is meaningless when life is lived in this fashion. However, at the end of the book Solomon points his readers back to God and challenges us to see that because God exists, *everything* in life has purpose and meaning. Each week in RUF we studied a passage from this great book, considered how the things of this life offer us hope, and how ultimately only Jesus can satisfy the deep longings of our heart. When we pursue Christ and seek His kingdom as our chief priority, only then can we enjoy the world that God has created.

One of our highlights from this semester was our Spring Break Mission's trip to Jamaica. I had the privilege of leading a team of 9 students to Jamaica to work at the Caribbean Christian Center for the Deaf (CCCD). We spent a week in Kingston doing construction on the campus and working with the students who live on campus. The ministry of CCCD is truly a Christ centered work where students are first and foremost taught



the Gospel and challenged to follow Christ. Secondly, CCCD seeks to teach their students all of the subjects necessary for high school graduation all the while teaching them sign language.

Our students worked extremely hard all week, forged deeper relationships with one another, and were confronted by the challenges facing the deaf population. It was a wonderful opportunity for us to minister to students in Jamaica who struggle with the challenges of being deaf and to consider the hope of Jesus' promises to make all things new. A few of the students from our team have enrolled in a sign language course at USF as we hope to return next year.

(Continued on page 13)

Talent Show Recap

By Bett Correa

Mission: Talent Show 2011

Status: Success

Project Briefing:

An incredibly talented group from Tampa Bay Presbyterian conspired together to create a one of a kind event to raise money for our Missions trip on April 9, from 6 to 8:30 pm.

The event included pies and tarts of all shapes and colors arrayed on beautiful china wear. Eileen coordinated the Pie and Tart Contest with the help of an army of wonderful helpers. The pie contest winners were Shawn Nobles (first place), Tatiana Litvenenko (second place), and Cheryl Barber and Gertrude Hunter (third-place tie).

The event was hosted by the ever funny and well heeled Michelle Adkinson and her spunky co-host James Barber.

An Epic tale was portrayed by John Ausmus as Focus and Tony Correa as Apathy with Bob Guest appearing as the Master and Rachel Todd as the servant. Together they told the story of Matthew 25, the parable of the talents. Focus worked hard using his talents for the Glory of God, but Apathy watched TV and played video games instead of using his talents. In the end Focus was rewarded and Apathy went away sad when the Master came back from his long journey. The audience laughed a great deal during these. All the stars of the set of skits should get Tony's for excellent acting.

We heard lots of original music including Eugene Litvenenko, Natalie Thomas with accompaniment by Justin Thomas. Also heard were many other talented singers doing famous and popular songs plus some not as famous.

The choir, missions trip team and Hensleys all contributed skits which were well done and very funny.

Best of all, we raised \$834 for the Missions Trip!! If you wrote an IOU, please turn in your check soon!

A huge number of people had to work very hard to put on this show, and they had a wonderful time doing it! Thank you to everyone who came out and enjoyed and to everyone who contributed in some way shape or form. Let's do it again next year!

End of Mission Briefing. This message will self destruct in 30 seconds.

Talent Show Recap



Outreach Team Update

By Kevin Nobles

The Outreach team is made up of Bert and Cheryl Barber, Bob Guest, Jonathan Massie, Gary Gawyrch, Maggie Gordon and Kevin Nobles. The team began meeting in the summer of 2010 with a goal of developing ways for TBPC to minister to our community. In the fall and winter of 2010 the team was active by participating in the Special Olympics, Light Night (Halloween alternative), Thanksgiving Meal Outreach, Spreading the Good News of Christmas and a Night in Bethlehem.

After those activities the team has spent the spring regrouping and redefining its focus. As part of that process we have read the book, *The Externally Focused Church* by Rick Rusaw and Eric Swanson. The emphasis of the authors is that the Church should be active in serving its community as a means to open the doors to sharing the gospel of Jesus Christ. Through service, the Church is able to build relationships with people in the community and through these relationships opportunities will come to share the gospel. The writers make that point that Jesus' ministry included service to others in addition to proclaiming that the kingdom of God was near. The team was particularly challenged by the question, if you (your church) picked up would anybody even notice?

The team has spent time developing drafts of Vision and Mission statements to guide its future direction.

Vision Statement

We envision an externally focused church that transforms our community through the power of Christ.

Mission Statement

Our mission is to demonstrate the love of Christ to our community by fulfilling the Great Commandment and the Great Commission.

It is one of the beliefs of the team that every communicant member can and should be involved in reaching out to the community to share the gospel of Jesus Christ in either word or deed. It is our goal to create opportunities in the future for members to get involved in outreach.

In keeping with our desire to focus on the needs of others external to the church we are re-connecting with the two social workers (from the Thanksgiving Outreach) that serve Turner Elementary School, Bartels Middle School, Wharton High School and Clark Elementary School. We intend to listen to their needs and develop ways in which TPBC can serve these schools and build relationships with members of the community through outreach to the schools.

"Go therefore and make disciples of all nations, baptizing them in the name of the Father and of the Son and of the Holy Spirit, teaching them to observe all that I have commanded you. And behold, I am with you always, to the end of the age."

Matthew 28:19-20 (ESV)



A Model Servant

(Continued from page 3)

Church's building custodian, Chris Christopher, to keep the Church in good repair. They often do many jobs themselves to save building maintenance funds. If Bob can't fix it, he knows who to call.

Bob works just as hard assisting Church members in need. As one of his fellow deacons explains, Bob "works tirelessly, but behind the scenes, to take care of many of the elderly in our church, especially doing home repairs, errands, visitations, and counseling." And Bob does it all with humility, never expecting recognition or thanks.

Lastly, but certainly not least, Bob also faithfully takes care of Betty, who has suffered from back problems for several years. Bob helps her by doing housework, all of the laundry and all of the cooking. Betty no longer can drive, but Bob does not want her to become inactive. So he takes her where ever she needs or wants to go. When Betty was in therapy, Bob would drive her to USF three times a week. Betty is grateful for her husband, who she describes as "energetic, loving and dependable." She loves talking about Bob and their life together. She is immensely proud of him and appreciative of what he does for her.

As some of you know, Bob and Betty's life together has not been without tribulation. Their first-born daughter, Debbie, suffered severe complications from being born with congenital heart failure. The doctors said that Debbie would never live past adolescence. But she proved them wrong and lived until just before her 30th birthday. Betty explains that she and Bob always viewed their extra time with Debbie as a gift from the Lord.

Indeed, Bob exemplifies faith, love and humility in his serve to the Lord, his church and family. Please thank Bob for his faithful service, and pray that the Lord will continue to bless Bob and Betty's years together.

RUF Update

(Continued from page 9)



We have two more big events to anticipate as this semester comes to a close. On April 26 we will celebrate our graduating seniors with a dinner at the Lee's house. It is one final opportunity for us to join together as a group and to consider how God has worked through RUF in the lives of our graduating seniors, to pray for them as they move on from college and to celebrate this milestone in their life. The other big event that we are all looking forward to is Summer Conference. We will be going to Panama City Beach for RUF's annual Summer Conference. Nearly 900 students from RUF all around the country will join together for a week of worship, teaching and fellowship in the Panhandle. It is a week of great opportunity for spiritual growth and a lot of fun at the end of the semester. Please pray that our students will be sensitive to God's leading that week and that they will grow in their love for and obedience to Christ.

We do ask that you will continue praying for us as the summer months approach. Please pray that we will meet many new students this summer who will be enrolling at USF. We will continue to meet this summer for Bible studies so please also pray for the students who will attend our summer study. Finally, Jenny and I appreciate your prayers for our family. We are expecting our second child, as Jenny is pregnant and due in early October! Please pray for a healthy pregnancy and that God will be at work in this baby's life even now. Thank you so much for your encouragement to us and for your faithful prayers and partnership with us at USF. We look forward to seeing you soon.

Help Japan Update

(Continued from page 8)

In many disaster situations that MTW responds to, we often send follow-up teams of disaster response trained personnel after the ANAT returns. Would you like to be trained and ready for future disaster situations? Disaster Response Training is a week-long course comprised of classroom time and “in the field” hands-on learning. Volunteers are trained to work safely and effectively in unstable environments and to serve those suffering from shock, pain, trauma, illness, and dislocation from their homes. If you are interested in information about MTW’s next Disaster Response training this fall, please email: Response@mtw.org .

What about the future? As we mentioned last week, MTW-Japan is beginning to work out a long-term strategy which will include church planting in the area affected by the tsunami, and God seems to be opening doors as never before. Please continue to pray that God would raise up new missionaries to serve in Japan. And pray that the Lord will quickly bring in the remaining funds for approved Japan missionaries who are raising support. They are urgently needed! Jeremy and Gina Sink are long-term missionaries itinerating for Japan. Short-term and intern missionaries include Haley Lebo, Jake & Anna Claire Gee, Triston & Kim Craven, Kendrick Johnson, Jonathan & Alanna Walker, Todd & Michiyo Buckwalter, Ellie Honea, and Richie Lisenby.

Let us continue to pray together that God will keep open this day of opportunity for the gospel and that we will be enabled to respond quickly and appropriately.

To learn more about how you can support the MTW Help Japan Disaster Response through prayer or giving, please visit www.mtw.org.

May Birthdays

1—Gloria Andel
5—Roy Hunter
7—Richard Hunter
8—Catie Tomasello
12—Kara Dale
15—Judy Weir
16—Julissa Rhoden
17—Eileen Kociela
19—Noah Easter
20—Doug Knox
20—Steven Palacio
21—Delaine Holsopple
27—Catherine Martin



May Anniversaries

8—Joe & Nancy Kirkpatrick
25—Richard & Michelle Hunter
27—Cris & Caroline Coffey
28—Rick & Linda Hallstrand

May 2011 *

Sun	Mon	Tue	Wed	Thu	Fri	Sat
1 9:00a Quarterly Information Meeting; Adult CE&F 10:00a-10:30a Greeters & Welcome Table ; 10:30a-11:45a Worship Service; 7:00p CMA Spanish Bible Study	2 10:00a -11:30a Staff Mtg	3	4 5:45p Family Dinner; 6:15p Dare2 Declare 6:30p Kids of the King, Prayer Meeting 7:00p Pioneer Clubs	5 7:00p Worship Team Meeting	6	7 7:45a-9:00a Men's Bible Study; Men's Discipleship Group 10:00a Missions Team Car & Dog Wash
8 9:00a -10:15a Children's Sunday School; Adult CE&F 10:00a-10:30a Greeters & Welcome Table ; 10:30a-11:45a Worship Service; 7:00p CMA Spanish Bible Study	9 10:00a -11:30a Staff Mtg	10	11 5:45p Family Dinner; 6:15p Dare2 Declare 6:30p Kids of the King, Prayer Meeting 7:00p Pioneer Clubs	12 7:00p Missions Committee Meeting	13	14 7:45a-9:00a Men's Bible Study; Men's Discipleship Group
15 9:00a -10:15a Children's Sunday School; Adult CE&F 10:00a-10:30a Greeters Table 10:30a-11:45a Worship Service; 7:00p CMA Spanish Bible Study	16 10:00a -11:30a Staff Mtg	17	18 12:30 Pace-setters' Lunch; 5:45p Family Dinner; 6:15p Dare2 Declare 6:30p Kids of the King, Prayer Meeting 7:00p Pioneer Clubs	19 7:00p-Diaconate & Session Meeting	20 12:30p NTCA End-of Year Lunch	21 7:45a-9:00a Men's Bible Study; Men's Discipleship Group
22 9:00a -10:15a Children's Sunday School; Adult CE&F 10:00a-10:30a Greeters & Welcome Table ; 10:30a-11:45a Worship Service; 7:00p CMA Spanish Bible Study	23 900a—NTCA Easter Centers; 10:00a -11:30a Staff Mtg	24	25 5:45p Family Dinner; 6:15p Dare2 Declare 6:30p Kids of the King, Prayer Meeting 7:00p Pioneer Clubs	26 9:00a-Trip to Dali Museum	27	28 7:45a-9:00a Men's Bible Study; Men's Discipleship Group
29 9:00a -10:15a Children's Sunday School; Adult CE&F 10:00a-10:30a Greeters Table 10:30a-11:45a Worship Service; 7:00p CMA Spanish Bible Study	30 Memorial Day Office Closed	31				

*Due to the number of events scheduled, we cannot fit all Sunday activities on the monthly newsletter calendar. Please consult the online calendar at <http://prem.calendars.net/tbpc> for the complete schedule of activities on Sundays in April.



19911 Bruce B. Downs Boulevard, Tampa, Florida 33647

Phone: (813) 973-2484 Fax: (813) 973-4673

Inside This Issue

Feature	Page
Rev. Fritz	1
Session News	2
Ministries	3-14
Truth Matters Today	6
Calendar	15
Worship Times	16

The Sunday Schedule

Time	Location	
9:00 AM	Classroom Wing	Sunday School for Children C E & F for Adults
10:30 AM	Sanctuary	Worship Service